

SOLTAIRE 250

HENDERSON

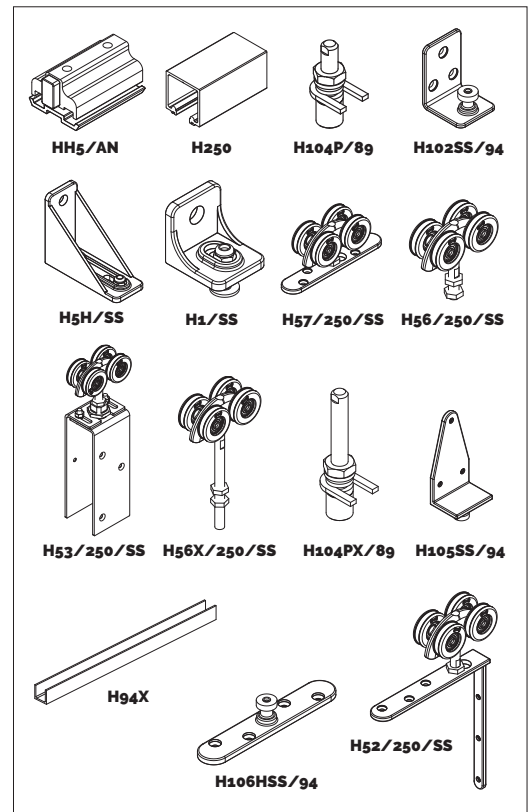
For top hung sliding doors. Max 250kg each.

APPLICATION

- Manufactured from high grade 316 stainless steel with anodised aluminium track
- This reliable system is extremely durable and ideal for coastal applications, heavy use or areas requiring a high level of corrosion resistance
- Designed for interior and exterior doors up to 250kg
- Ideal for residential or commercial applications
- Designed to accommodate single or multiple panels on one or more tracks
- Hangers available for timber or metal doors
- The track can be soffit fixed or face fixed to give flexibility of installation

HARDWARE SPECIFICATION		
Track	H250A	Anodised Aluminium (2000, 3000, 4000 & 6000mm lengths). Soffit fix spacing 900mm centres (maximum)
Brush Strips	HBS10, HBS15, HBS20, HBS25 (mm)	Available in black in 4 brush heights, by the metre
Brackets	H1/SS	Face fixed stainless steel
	H5H/SS	Double face fixed stainless steel (heavy). Starting 20mm from end of track fix at 900mm maximum centres.
Hangers (2 per door)*	H52/250/SS	Timber doors – angle plate fixing
	H53/250/SS	Timber doors – saddle plate fixing
	H56/250/SS	Metal doors – angle frame fixing
	H56X/250/SS	Metal doors – box frame fixing
	H57/250/SS	Timber doors – concealed plate fixing
	H57/250/SS	Metal doors – concealed plate fixing
Track Stop	HH5/AN	Anodised aluminium with rubber buffer
Guides	H102SS/94	Timber doors - wall mounted and multiple run guide
	H104PX/89	Metal door - box section (Zinc plated steel brass roller)
	H104P/89	Metal door - angle frame (Zinc plated steel brass roller)
	H105SS/94	Timber doors - face mounted guide
	H106HSS/94	Timber doors - concealed fixing with SS bearing
Channels	H94x	Aluminium (2000, 3000, 4000 & 6000mm lengths)
	H89SS	Stainless steel (2000 & 3000mm lengths)
	H94P	Polypropylene (2000, 3000, 4000 & 6000mm lengths)
	H94PSC	Aluminium supporting channel and polypropylene (2000, 3000, 4000 & 6000mm lengths)
Accessories		
Interlocking Seal	H59BZ/4800	Bronze anodised (4800mm to suit typical 2400mm door height)
	H59CA/4800	Clear anodised aluminium (4800mm to suit typical 2400mm door height) Drilled and countersunk. Includes brush seal.

* Each panel must be rigid enough to be supported by only two hangers

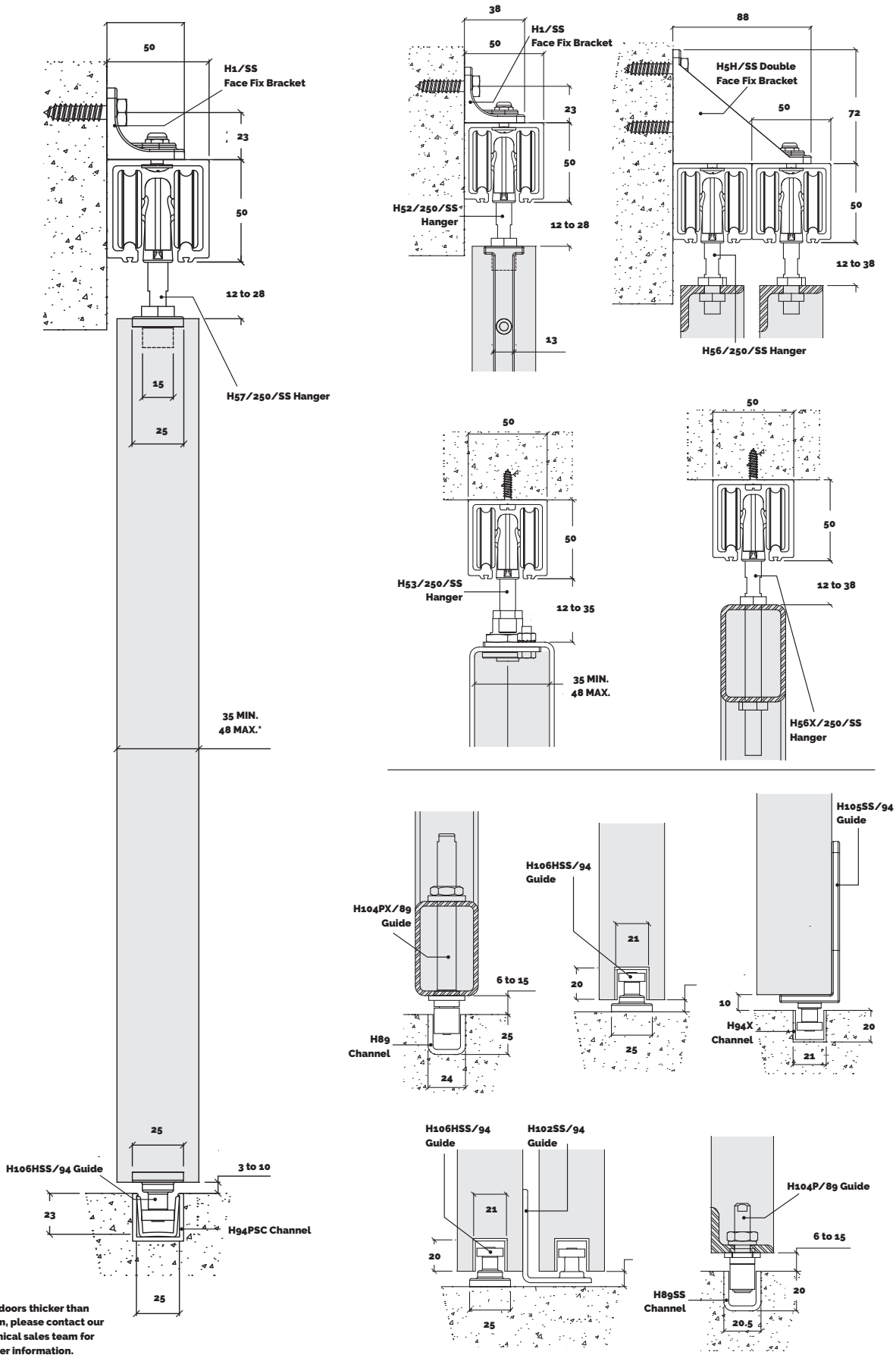


DOOR SPECIFICATION	
Track System	Soltaire 250
For Individual Doors:	
Max Door Weight	250kg
Door Thickness	35-48mm*
Max Panel Height	3300mm
*Max door thickness only applies to some face fix bracket and Hanger options.	



SOLTAIRE 250

**DRAWING IS
NOT TO SCALE**



* For doors thicker than 48mm, please contact our technical sales team for further information.